

PRODUCT CODE: LN4B
LOCK NUT

DESCRIPTION

1½" Lock Nut - Light Pattern

FINISH

Black Enamel

MATERIAL

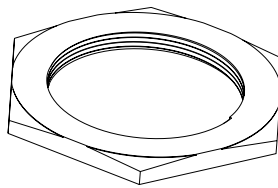
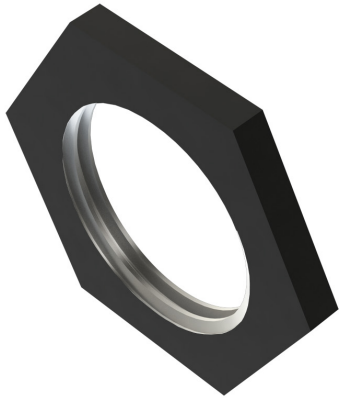
Steel

PACKAGING

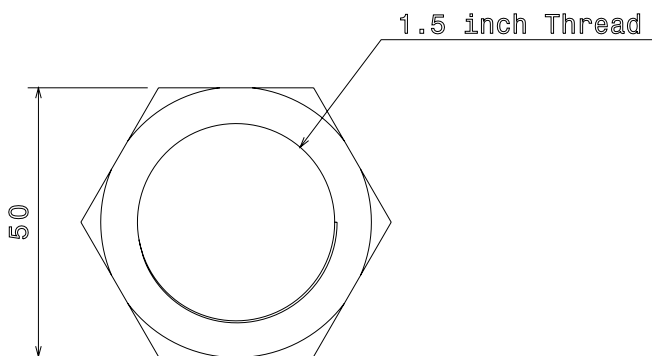
Packed in qty 50

ADDITIONAL NOTES

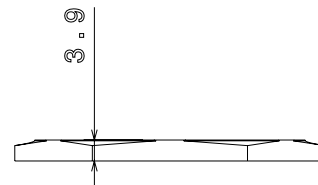
Conforms to BS EN61386-1
Compliant to LU Standard 1-085 (for use on surface & sub-surface locations)



Isometric view



Top view



Side view